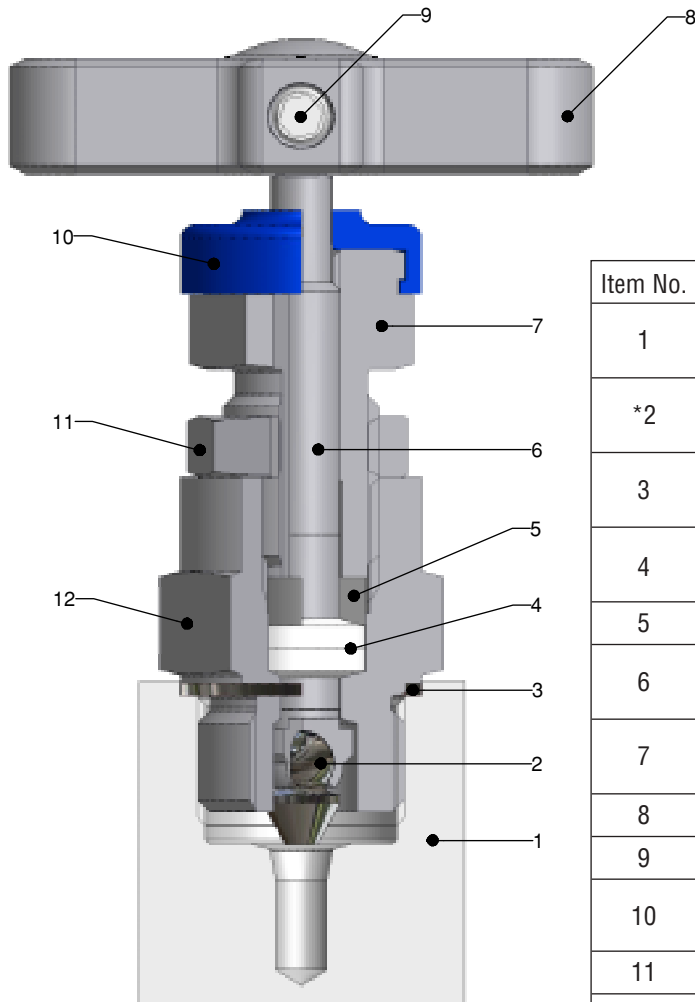




Material specification data sheet

Bul 4190 MS
June 2002

Maximum working pressure 6000psig (414 barg)
High pressure range 10,000psig (689 barg)
P.T.F.E. Packing: 260°C (500°F) Max.
Graphoil packing: 538°C (1000°F) Max.



Item No.	Description	Material							
		St.St.	Monel	Duplex	Hastelloy	Titanium	6Mo	Incoloy	Inconel
1	Body	316 St.St. ASTM A479	Monel M400	Duplex UNS 31803	Hastelloy C-276	Titanium GR-2	6Mo	Incoloy 825	Inconel 625
*2	Tip	17-4PH St.St.	Monel K500	Duplex UNS S.32750/32760	Hastelloy B2	Titanium GR-5	Duplex UNS S.32750/32760	Inconel 625	Inconel 718
3	Joint Seal	316 St.St. ASTM A479	Monel M400	Duplex UNS 31803	Hastelloy C-276	Titanium GR-2	6Mo	Incoloy 825	Inconel 625
4	Packing	P.T.F.E. / Graphoil	P.T.F.E. / Graphoil	P.T.F.E. / Graphoil	P.T.F.E. / Graphoil	P.T.F.E. / Graphoil	P.T.F.E. / Graphoil	P.T.F.E. / Graphoil	P.T.F.E. / Graphoil
5	Thrust Bush	316 St.St.	316 St.St.	316 St.St.	316 St.St.	316 St.St.	316 St.St.	316 St.St.	316 St.St.
6	Stem	316 St.St. ASTM A479	Monel M400	Duplex UNS 31803	Hastelloy C-276	Titanium GR-2	6Mo	Incoloy 825	Inconel 625
7	Gland Adjuster	316 St.St. ASTM A479	316 St.St. ASTM A479	316 St.St. ASTM A479	316 St.St. ASTM A479	316 St.St. ASTM A479	316 St.St. ASTM A479	316 St.St. ASTM A479	316 St.St. ASTM A479
8	Handle	316 St.St.	316 St.St.	316 St.St.	316 St.St.	316 St.St.	316 St.St.	316 St.St.	316 St.St.
9	Grub Screw	A4-80 St.St.	A4-80 St.St.	A4-80 St.St.	A4-80 St.St.	A4-80 St.St.	A4-80 St.St.	A4-80 St.St.	A4-80 St.St.
10	Dust Cap	LDPE - Coloured	LDPE - Coloured	LDPE - Coloured	LDPE - Coloured	LDPE - Coloured	LDPE - Coloured	LDPE - Coloured	LDPE - Coloured
11	Lock Nut	316 St.St.	316 St.St.	316 St.St.	316 St.St.	316 St.St.	316 St.St.	316 St.St.	316 St.St.
12	Bonnet	316 St.St. ASTM A479	Monel M400	Duplex UNS 31803	Hastelloy C-276	Titanium GR-2	6Mo	Incoloy 825	Inconel 625

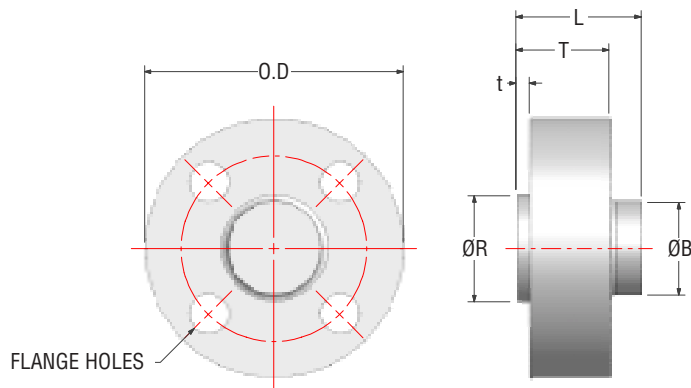
*Soft tip materials PEEK and PCTFE available for gaseous applications

Visit us on the web at www.parker.com/ipd



Monoflange - Table of dimensions

Size	Class	O.D. +0.6 / -0.0	T +0.5 / -0.0	No. of Holes	Hole Dia. +0.5 / -0.0	P.C.D. +0.3 / -0.3	t +0.3 / -0.3	R +0.3 / -0.3	L +0.5 / -0.0	B +0.5 / -0.0
1/2" N.B.	150 LB	88.90 (3.50")	39.69 (1.56")	4	15.75 (0.62")	60.45 (2.38")	1.59 (0.06")	35.05 (1.38")	60.00 (2.36")	28.58 (1.13")
3/4" N.B.	150 LB	98.55 (3.88")	39.69 (1.56")	4	15.75 (0.62")	69.85 (2.75")	1.59 (0.06")	42.93 (1.69")	60.00 (2.36")	31.75 (1.25")
1" N.B.	150 LB	107.95 (4.25")	39.69 (1.56")	4	15.75 (0.62")	79.25 (3.12")	1.59 (0.06")	50.80 (2.00")	60.00 (2.36")	31.75 (1.25")
1 1/2" N.B.	150 LB	127.00 (5.00")	39.69 (1.56")	4	15.75 (0.62")	98.55 (3.88")	1.59 (0.06")	73.15 (2.88")	67.00 (2.64")	50.80 (2.00")
2" N.B.	150 LB	152.40 (6.00")	39.69 (1.56")	4	19.05 (0.75")	120.65 (4.75")	1.59 (0.06")	91.95 (3.62")	60.00 (2.36")	50.80 (2.00")
1/2" N.B.	300 LB	95.25 (3.75")	39.69 (1.56")	4	15.75 (0.62")	66.55 (2.62")	1.59 (0.06")	35.05 (1.38")	60.00 (2.36")	31.75 (1.25")
3/4" N.B.	300 LB	117.35 (4.62")	39.69 (1.56")	4	19.05 (0.75")	82.55 (3.25")	1.59 (0.06")	42.93 (1.69")	60.00 (2.36")	38.10 (1.50")
1" N.B.	300 LB	123.95 (4.88")	39.69 (1.56")	4	19.05 (0.75")	88.90 (3.50")	1.59 (0.06")	50.80 (2.00")	60.00 (2.36")	38.10 (1.50")
1 1/2" N.B.	300 LB	155.45 (6.12")	39.69 (1.56")	4	22.35 (0.88")	114.30 (4.50")	1.59 (0.06")	73.15 (2.88")	67.00 (2.64")	50.80 (2.00")
2" N.B.	300 LB	165.10 (6.50")	39.69 (1.56")	8	19.05 (0.75")	127.00 (5.00")	1.59 (0.06")	91.95 (3.62")	60.00 (2.36")	50.80 (2.00")
1/2" N.B.	600 LB	95.25 (3.75")	44.45 (1.75")	4	15.75 (0.62")	66.55 (2.62")	6.35 (0.25")	35.05 (1.38")	60.00 (2.36")	31.75 (1.25")
3/4" N.B.	600 LB	117.35 (4.62")	44.45 (1.75")	4	19.05 (0.75")	82.55 (3.25")	6.35 (0.25")	42.93 (1.69")	60.00 (2.36")	38.10 (1.50")
1" N.B.	600 LB	123.95 (4.88")	44.45 (1.75")	4	19.05 (0.75")	88.90 (3.50")	6.35 (0.25")	50.80 (2.00")	60.00 (2.36")	38.10 (1.50")
1 1/2" N.B.	600 LB	155.45 (6.12")	44.45 (1.75")	4	22.35 (0.88")	114.30 (4.50")	6.35 (0.25")	73.15 (2.88")	67.00 (2.64")	50.80 (2.00")
2" N.B.	600 LB	165.10 (6.50")	47.63 (1.88")	8	19.05 (0.75")	127.00 (5.00")	6.35 (0.25")	91.95 (3.62")	60.00 (2.36")	50.80 (2.00")
1/2" N.B.	900/1500 LB	120.65 (4.75")	44.45 (1.75")	4	22.35 (0.88")	82.55 (3.25")	6.35 (0.25")	35.05 (1.38")	60.00 (2.36")	31.75 (1.25")
3/4" N.B.	900/1500 LB	130.05 (5.12")	47.63 (1.88")	4	22.35 (0.88")	88.90 (3.50")	6.35 (0.25")	42.93 (1.69")	60.00 (2.36")	38.10 (1.50")
1" N.B.	900/1500 LB	149.35 (5.88")	50.80 (2.00")	4	25.40 (1.00")	101.60 (4.00")	6.35 (0.25")	50.80 (2.00")	67.00 (2.64")	38.10 (1.50")
1 1/2" N.B.	900/1500 LB	177.80 (7.00")	53.98 (2.13")	4	28.45 (1.12")	123.95 (4.88")	6.35 (0.25")	73.15 (2.88")	74.00 (2.91")	38.10 (1.50")
2" N.B.	900/1500 LB	215.90 (8.50")	60.33 (2.38")	8	25.40 (1.00")	165.10 (6.50")	6.35 (0.25")	91.95 (3.62")	67.00 (2.64")	50.80 (2.00")
1/2" N.B.	2500 LB	133.35 (5.25")	53.98 (2.13")	4	22.35 (0.88")	88.90 (3.50")	6.35 (0.25")	35.05 (1.38")	60.00 (2.36")	31.75 (1.25")
3/4" N.B.	2500 LB	139.70 (5.50")	53.98 (2.13")	4	22.35 (0.88")	95.25 (3.75")	6.35 (0.25")	42.93 (1.69")	60.00 (2.36")	38.10 (1.50")
1" N.B.	2500 LB	158.75 (6.25")	57.15 (2.25")	4	25.40 (1.00")	107.95 (4.25")	6.35 (0.25")	50.80 (2.00")	67.00 (2.64")	38.10 (1.50")
1 1/2" N.B.	2500 LB	203.20 (8.00")	66.68 (2.63")	4	31.75 (1.25")	146.05 (5.75")	6.35 (0.25")	73.15 (2.88")	80.00 (3.15")	50.80 (2.00")
2" N.B.	2500 LB	234.95 (9.25")	73.03 (2.88")	8	28.45 (1.12")	171.45 (6.75")	6.35 (0.25")	91.95 (3.62")	80.00 (3.15")	50.80 (2.00")



Height of installed O.S. & Y: 96.2mm (3.79")
 Height of 'H' Series installed Needle Valve: 50.3mm (2.00")
 Height of 'H' Series Anti Tamper Valve: 48.8mm (1.92")
 All the above in fully open position
 Note: t dimension is for raised face joint seal only.